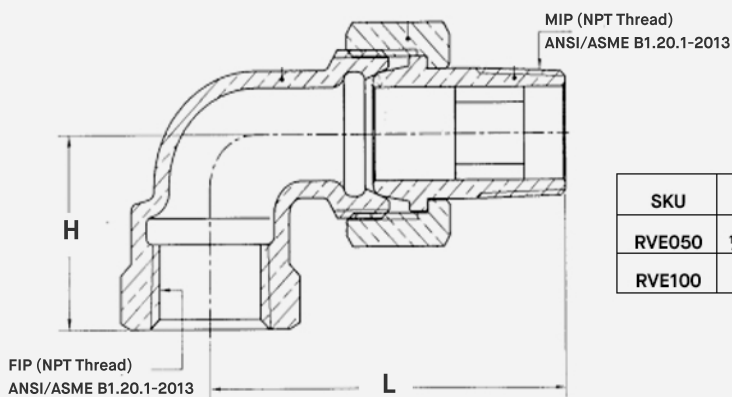


Radiator Union Elbow

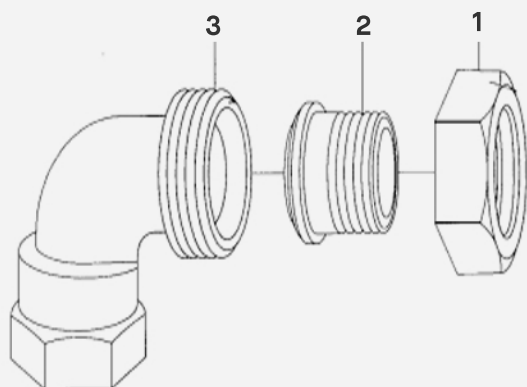
(FIP x Male Union)

FEATURES

- **C85700 Brass Construction** – Ideal for applications requiring durability, aesthetic appeal, and resistance to water and heat exposure.
- **Threaded Connection**



SKU	Size	Dimensions			
		H	L	FIP	MIP
RVE050	1/2" FIP x 1/2" MIP	1.10"	2.26"	1/2" – 14NPT	1/2" – 14NPT
RVE100	1" FIP x 1" MIP	1.40"	2.91"	1" – 11.5 NPT	1" – 11.5 NPT



No	Part	Material	QTY	Water Contact
1	Packing Nut	Forged Brass C37700	1	No
2	Nipple	Forged Brass C37700	1	Yes
3	Body	Cast Brass C85700	1	Yes